

CPU

- 6Core**
- Xeon X5575 6C
3.06GHz 12M 95W
636204-B21
 - Xeon X5670 6C
2.93GHz 12M 95W
590615-B21
 - Xeon X5660 6C
2.80GHz 12M 95W
590617-B21
 - Xeon X5550 6C
2.66GHz 12M 95W
590615-B21
 - Xeon E5649 6C
2.53GHz 12M 80W
535205-B21
 - Xeon E5545 6C
2.40GHz 12M 80W
63206-B21
 - Xeon L5640 6C
2.26GHz 12M 80W
590607-B21

QuadCore

- Xeon X5672 QC 3.20GHz
12M 95W 636962-B21
- Xeon E5640 QC 2.86GHz
12M 80W 590613-B21
- Xeon E5630 QC 2.53GHz
12M 80W 590611-B21
- Xeon E5620 QC 2.40GHz
12M 80W 590609-B21
- Xeon X5606 QC 2.13GHz
4M 80W 635853-B21
- Xeon X5603 QC 1.80GHz
4M 80W 636207-B21
- Xeon L5630 QC 2.13GHz
12M 40W 590606-B21
- Xeon L5620 QC 2.26GHz
8M 60W 50834-B21
- Xeon E5640 QC 2.53GHz
8M 80W 590630-B21
- Xeon E5520 QC 2.26GHz
8M 80W 50834-B21
- Xeon E5606 QC 2.13GHz
4M 80W 573099-B21
- Xeon E5604 QC 2.00GHz
4M 80W 50834-B21

DualCore

- Xeon E5503 DC
2.00GHz 4M 80W
594118-B21

Security

- TPM 488068-B21

I/O Exp.

- Additional Mylar Part: 00000001

Pwr Supply

- 480W CS HE Power Supply
53036-B21
- 480W CS HE Platinum Power Supply
7510018-B21
- 750W CS HE Power Supply
53227-B21
- 750W CS HE Platinum Power Supply
7510019-B21

Memory

RDIMM

- 16GB PC3-10600R 4R
RDIMM/LP 52713-B21
- 16GB PC3-8500R 4R
RDIMM 52099-B21
- 8GB PC3-10600R 2R
RDIMM 53063-B21
- 8GB PC3-10600R 2R
RDIMM 53062-B21
- 4GB PC3-10600R 2R
RDIMM 53062-B21
- 4GB PC3-10600R 1R
RDIMM/LP 40404-B21
- 4GB PC3-10600R 1R
RDIMM 53062-B21
- 4GB PC3-8500R 4R
RDIMM/LP 53061-B21
- 3GB PC3-10600R 2R
RDIMM 53062-B21

UDIMM

- 4GB PC3-10600R 2R
UDIMM/FBWC 52982-B21
- 4GB PC3-10600R 2R
UDIMM 50873-B21
- 3GB PC3-10600R 2R
UDIMM 50873-B21
- 1GB PC3-10600 1R
UDIMM 50884-B21

Removable

- Slim SATA DVD-ROM
481041-B21
- Slim SATA DVD-RW
481043-B21

I/O Accelerator

- 1.2TB MLC PCIe iDrive Duo
641027-B21
- 640GB MLC PCIe iDrive Duo
600282-B21
- 320GB SLC PCIe iDrive Duo
600281-B21
- 320GB MLC PCIe iDrive
600278-B21
- 160GB SLC PCIe iDrive
600278-B21

HPC Cards

- HP IB 4X QDR PCI-E G2 Dual
583211-B21
- HP IB 4X QDR CX-2 PCI-E G2
Dual 592520-B21
- HP IB 4X DDR CX-2 PCI-E G2 Dual
592521-B21

Communication

- HP NC112T PCIe Gig 503746-B21
- HP NC360T PCIe Dual Gig
412648-B21
- HP NC384T PCIe Quad Gig
435508-B21
- HP NC385T PCIe Quad Gig
593722-B21
- HP NC373F PCIe Gig Multi
394793-B21
- HP NC373T PCIe Gig Multi
394791-B21
- HP NC382T PCIe Dual Gig Multi
458492-B21
- HP NC523SFP PCIe Dual 10GbE
468332-B21
- HP NC523SFP PCIe Dual 10GbE
593717-B21
- HP NC550SFP PCIe Dual 10GbE
581201-B21
- HP NC552SFP PCIe Dual 10GbE
614203-B21

Hard Drive

HP SAS LFF

- 3TB 6G 7.2K SAS MDL HDD
625031-B21
- 2TB 6G 7.2K SAS DP MDL
HDD 507616-B21
- 1TB 6G 7.2K SAS DP MDL
HDD 507614-B21
- 600GB 6G 15K SAS DP
ENT HDD 516828-B21
- 450GB 6G 15K SAS DP
ENT HDD 516816-B21
- 300GB 6G 15K SAS DP
ENT HDD 516814-B21

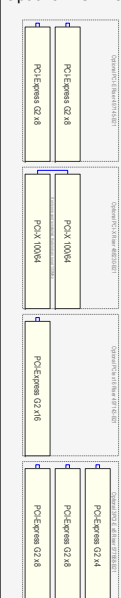
HP SATA LFF

- 2TB 3G 7.2K SATA MDL
HDD 507632-B21
- 1TB 3G 7.2K SATA MDL
HDD 454146-B21
- 500GB 3G 7.2K SATA MDL
HDD 458828-B21
- 250GB 3G 7.2K SATA ETY
HDD 517230-B21
- 160GB 3G 7.2K SATA ETY
HDD 458945-B21

HP SATA LFF SSD

- 400GB 3G SATA MLC LFF
MDL SSD 636611-B21
- 200GB 3G SATA MLC LFF
MDL SSD 636609-B21
- 100GB 3G SATA MLC LFF
MDL SSD 636607-B21

Optional PCI Riser



Storage Controller

RAID Card

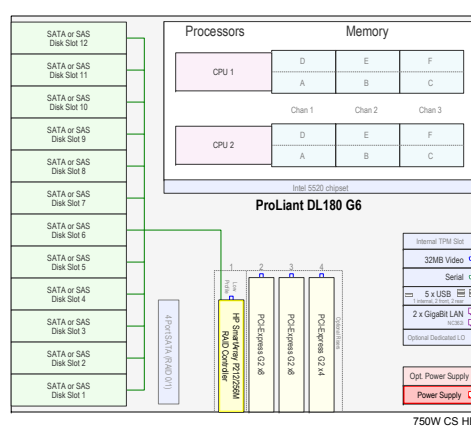
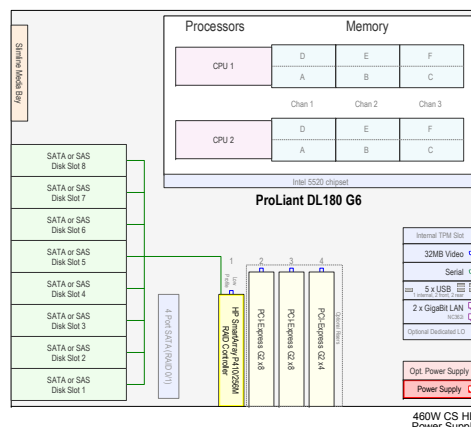
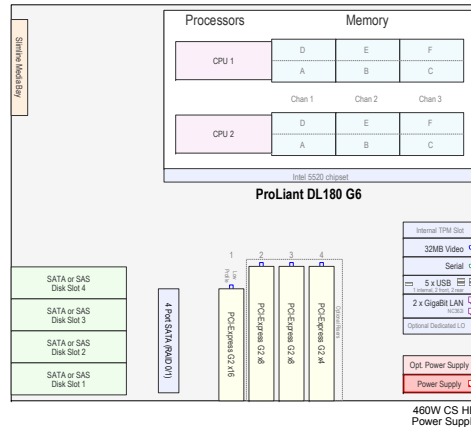
- SmartArray P212iZM 462828-B21
- SmartArray P212iZM 462828-B21 + 250MB 462969-B21
- SA P212iZM 462828-B21 + 250MB 462969-B21 + BBWC 462969-B21
- SmartArray P212iZM 462834-B21 + BBWC 462969-B21
- SmartArray P410i256 462862-B21 + BBWC 462969-B21
- SmartArray P410i256 462862-B21 + 512MB BBWC 462967-B21
- SmartArray P410i256 462862-B21 + 512MB FBWC 534916-B21
- SmartArray P410i256 462862-B21 + 1GB FBWC 534562-B21
- SmartArray P410i512 BBWC 462864-B21
- SmartArray P410i512 FBWC 578230-B21
- SmartArray P410i1G FBWC 578232-B21
- SmartArray P411i256 462830-B21 + BBWC 462969-B21
- SmartArray P411i256 462830-B21 + 512MB BBWC 462967-B21
- SmartArray P411i256 462830-B21 + 1GB FBWC 534562-B21
- SmartArray P411i512 BBWC 462832-B21
- SmartArray P411i1G FBWC 578229-B21
- SmartArray P600i512 BBWC 381513-B21
- SmartArray P612i1G FBWC 487204-B21

FC Card

- SW 81B 8Gb Single Port PCIe
A7P78A
- SW 82B 8Gb Dual Port PCIe
A7P77A
- SW 41B 4Gb Single Port PCIe
A7P77A
- SW 42B 4Gb Dual Port PCIe
A7P78A
- SW 81E 8Gb PCIe A1J762A
- SW 82E 8Gb Dual PCIe A1J763A
- SW FC2142SR 4Gb PCI-E A8002A
- SW FC2242SR 4Gb Dual PCI-E
A8003A
- SW 81Q 8Gb PCI-E AK344A
- SW 82Q 8Gb Dual PCIe A1J764A
- SW FC1142SR 4Gb PCI-E AE311A
- SW FC1242SR 4Gb Dual PCI-E
AE312A
- SW CN1000E Dual Port PCIe
B5S29A
- SW CN1000Q Dual Port PCIe
B5S68A
- SW CN1100E Dual Port PCIe
BK335A

SCSI Card

- SW U320e SCSI HBA A1H627A
- SC11Xe 64/133 Single U320
412911-B21



ProLiant DL180 G6 Server LFF Models

Part Number Description

4LFF-Drive SATA Models

635199-xx1 DL180G6 X2.13/800 QC-8MB Cache, 1P, 4GB, SATA RAID, 460W PS

8LFF-Drive SATA Models

590638-xx1 DL180G6 X2.40/1066 QC-12MB Cache, 1P, 8GB, P410/256/BBWC, 460W PS
590636-xx1 DL180G6 X2.13/1066 QC-12MB Cache, 1P, 4GB, P410/256, 460W PS

12LFF-Drive SATA Models

590639-xx1 DL180G6 X2.40/1066 QC-12MB Cache, 1P, 8GB, P212/256/BBWC, 750W PS

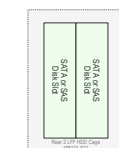
Country Code Key

- 001 US
- 291 Japan
- 371 APD
- 421 EURO
- AA1 PRC

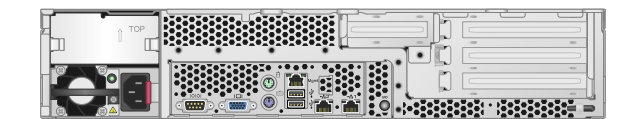
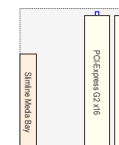
Up to 2 6-Core, Quad-Core or Dual-Core Xeon CPUs 1.60GHz to 3.20GHz

Memory expandable to 192GB w/ RDIMM to 48GB w/ UDIMM

3.45in
2U



Up to 14 Hot Plug HDD w/ 12 80GB Rear 2LFF kit 488234-B21 (12-Disk models only)



This Visual Solution Document is deemed to be valid and accurate as of the date shown below.



The information contained herein is subject to change without notice and is provided "as is" without warranty of any kind. Please consult the Product QuickSpecs Documents on www.hp.com for any updates to the product information contained herein after the date shown below.

Build with the latest Logical shapes from the Visio Café - Download the latest HP Intel Stencils to get the shapes used above to create your own customized Visual Solution Documents - Feedback: info@visiocafe.com